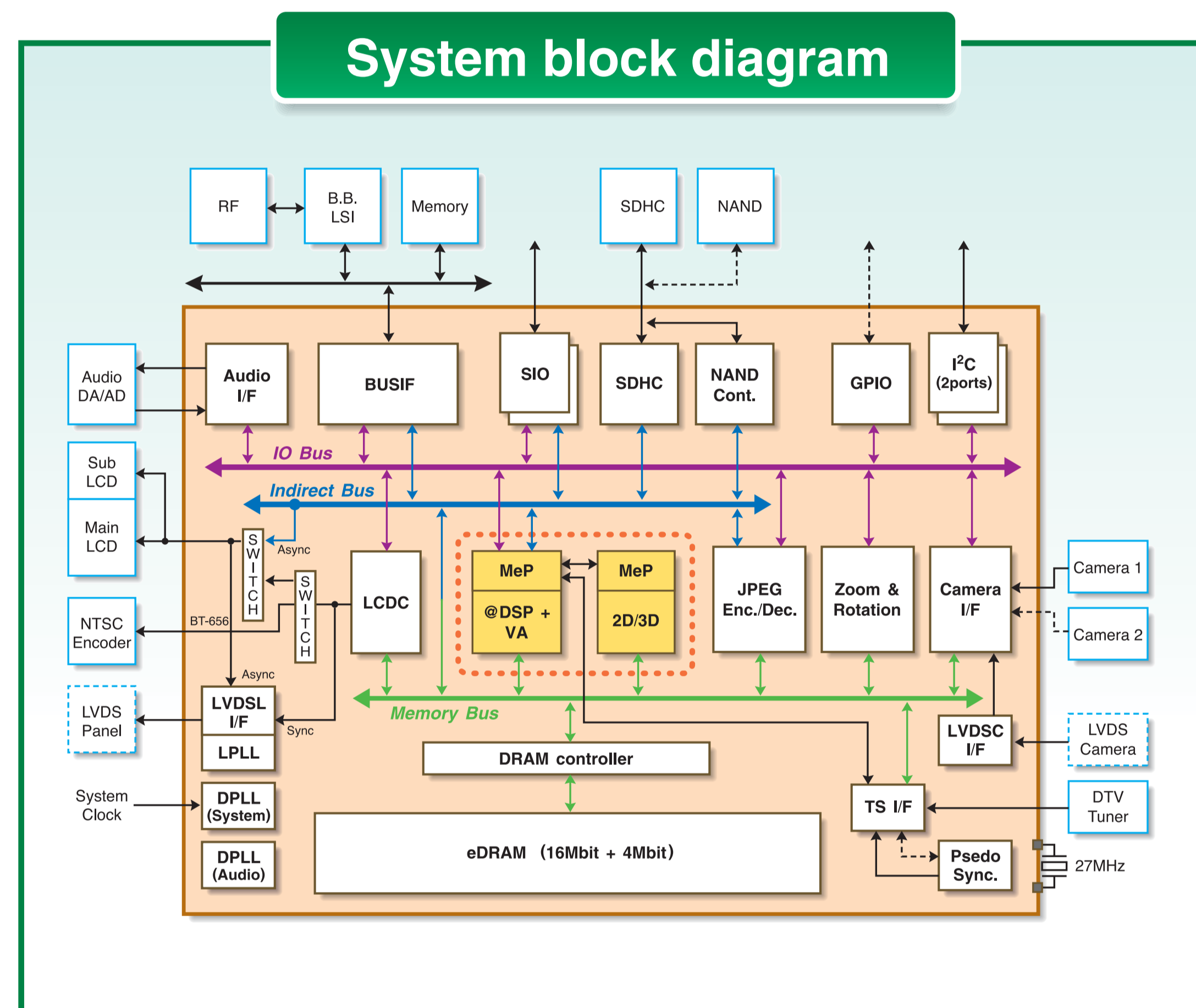


# Multimedia Accelerator S1G LSI Multimedia Solution S1G Reference System

## 多媒体加速器S1G LSI 多媒体解决方案S1G参考系统

- S1G creates high performance Multimedia Function for cellular phone
- S1G creates Long time operation with Low power.
- S1G creates high performance 3D Game Solution with 2D and 3D Graphic Engine.
- S1G provides Total Solution with Reference system platform.
- S1G provides easy porting efforts on target systems with Simple software architecture.

- S1G实现手机用高性能多媒体功能
- S1G以低耗电量实现长时间运行
- S1G通过2D和3D图形引擎实现高性能3D游戏解决方案
- S1G采用参考系统平台提供总体解决方案
- S1G采用简单的软件结构为目标系统提供简单的可移植性



## TOSHIBA HDN 东芝HDN

HDN : High Definition Network

### Device technology that powerfully supports HDN.

东芝的元器件技术全力支持HDN。

#### Role of Multimedia Accelerator for Mobile Terminal : S1G

移动终端用多媒体加速器S1G的功能

HDN elemental technology providing elite multimedia image processing via graphic processing LSIs for mobile phones

这项HDN基本技术通过移动电话图形处理LSI提供了出色的多媒体图像处理。

**TOSHIBA**  
Leading Innovation >>>

领先·创新